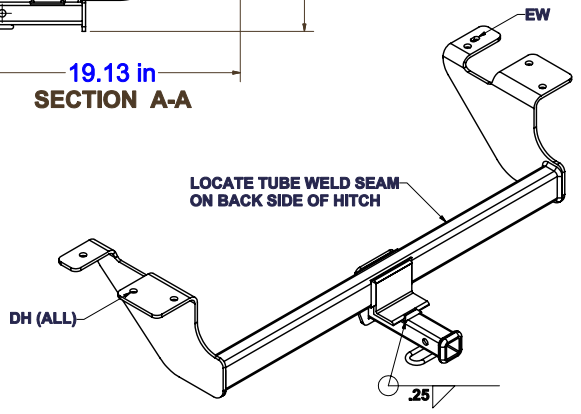
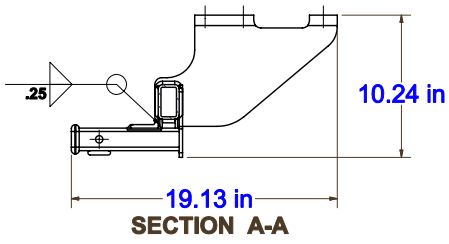


Parts List			
ITEM	QTY	PART NUMBER	DESCRIPTION
1	1	CM-12333-MB	SQ. TUBE 2.50 x 1.50 x .188 A-36 H.R.
2	1	CM-12333-DS	.250° DRIVER SIDE PLATE
3	1	CM-12333-TS	SQ. TUBE 1.50x.188° A-500 GR B
4	1	CM-RT8-2	8.00° JEMS STYLE RECEIVER TUBE
5	1	CM-A3.63_2-3	2.00 x 3.00 x .250° ANGLE IRON
6	1	CM-BP6	5.22 x 4.0 x .250 BACK PLATE
7	1	CM-CL3	5/16" DIA. SAFETY CHAIN LOOP
8	1	CM-12333-PS	.250° PASSENGER SIDE PLATE

NOTES:
 1) MERGE WELDS ALL AROUND
 2) TOTAL WELD INCHES = 61.50"



<p>WELD ALL AROUND PART</p> <p>TYP WELD SIMILAR PARTS THE SAME</p> <p>WELD OUT WELD ALL EDGES AND/OR SURFACES</p>	<p>FILLET WELD</p> <p>FLANGE CORNER WELD</p> <p>SQUARE GROOVE WELD</p>	<p>DRAWN BDF</p> <p>CHECKED</p>	<p>1/17/2005</p>	<p>Manufacturing CURT <small>INCORPORATED</small></p> <p>6208 Industrial Drive Eau Claire, WI 54701</p>	
		<p>HITCH INSTALLATION CODE</p> <p>DH = DRILL HOLE IN FRAME FOR HITCH INSTALLATION.</p> <p>EH = EXISTING HOLE IN FRAME FOR HITCH INSTALLATION.</p> <p>EW = EXISTING WELDNUT IN FRAME FOR HITCH INSTALLATION.</p>			<p>STANDARD TOLERANCES</p> <p>.XX +/- .06</p> <p>.XXX +/- .03</p> <p>ALL DIMENSIONS SHOWN ARE FOR REFERENCE ONLY.</p>
<p>TITLE</p> <p>RECEIVER HITCH WELDMENT</p>			<p>SIZE DWG NO</p> <p>C CM-12333-WA</p>	<p>SCALE</p>	<p>REV</p>
			<p>SHEET 1 OF 2</p>		